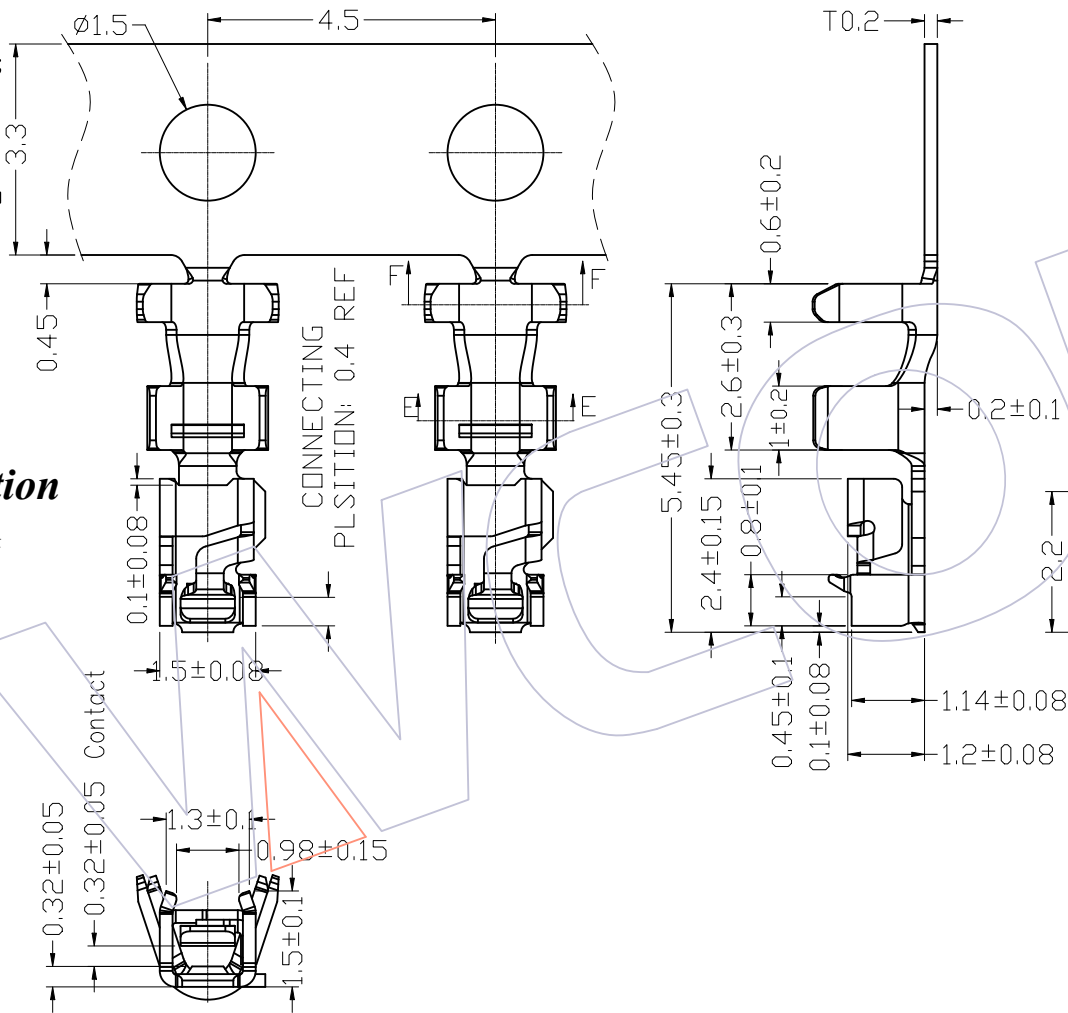
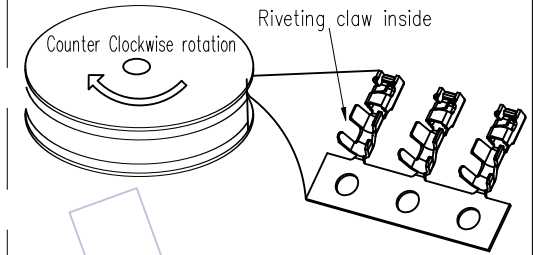


HSF

NOTES:

1. Current Rating: 1.0A Max (per pos) AT 20°C;
2. Contact Resistance: 30mΩ Max;
3. Operating Temperature: -40°C to +125°C;
4. Contact Material: Copper Alloy;
5. Contact plating:
GX: xxμ" Gold on contact area (See ordering information),
50μ" Nickel underplating overall;
6. Wire Size Range: 26-22AWG;
7. Insulation range: 0.8-1.2mm;

SCHEMATIC DIAGRAM OF DISCHARGE DIRECTION



Ordering Information

M006E - F T P GO 01

- F=SOCKET
- Terminal
- Material: P=C5191
- Contact Plating: GO=Gold FLASH
- Applicable wire gauge: 01=26-22AWG

CONNECTING POSITION: 0.4 REF

0.32±0.05 Contact

				OPERATION	DRAW	DATE	SCALE	FIT	PART NO.
				X.X ±0.40	Houfu Peng	2023. 01. 03	UNIT	mm	M006E-FTPG001
				X.XX ±0.25	CHECK	DATE	SIZE	A4	TITLE: 2.0mm Servomotor M006
				X.XXX ±0.15	APPROVE	DATE	SHEET	1/1	Encode/Brake Crimp Terminal
A0	2023. 01. 03	NEW		Angle ± 3°			PROJ.	Customer NO.	SOCKET (26-22AWG)
REV	DATE	MODIFICATION DESCRIPTION	CHANGE	DIM TOL					

WCON
 Http: www.wcon.com
 WCON-Dongguan WCON-Kunshan
 Tel: +86 769 85358920 Tel: +86 512 57468408
 Fax: +86 769 85358915 Fax: +86 512 57468468
 E-mail: sales@wcon.com E-mail: salesks@wcon.com